



Applications

Sporting Facility
Airport
Port

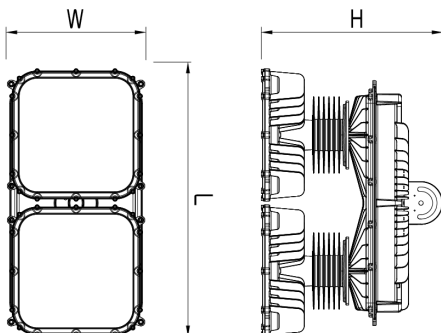
Description

Slimmed-down and amazing cooling structure
Stable cooling structure that points the heat release
Comes in diverse angles of 15, 20, 30 and 45 degrees
Linkage with wired, wireless control systems

Specifications

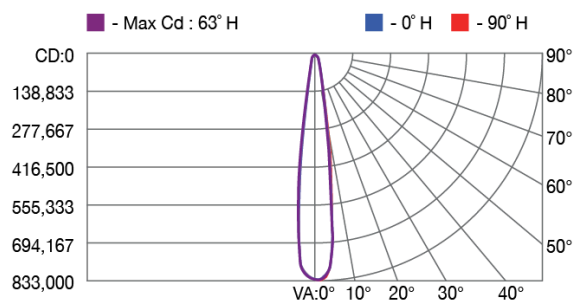
Model Name	SFX800	
Power Consumption	800W	
Light Source	High Power LED Chips	
Correlated Color Temperature	5000K (3000K / 4000K / 5700K available)	
Luminous Flux *	84,000 lm	88,000 lm
Luminous Efficacy *	105 lm/W	110 lm/W
LED Driving Current	818 mA	818 mA
Color Rendering Index	80 Ra	70 Ra
Light Distribution	15°, 20°, 30°, 40°	
LED Chip Manufacturer	CREE	
Input Voltage	200 ~ 277 Vac	347 ~ 480 Vac
Input Current	Max 5.0A (@200Vac)	Max 3.2A (@330Vac)
Power Factor	≥0.9 at Max load	
Frequency	50 / 60 Hz	
Surge Protection	Line-Line 20KV, Line-FG 20KV	
Driver Type	Constant Current (CC)	
Fixture & Driver Manufacturer	KMW INC. / Made in Korea	
Size (W x L x H)	12.7 x 24.9 x 16.8 (inch)	323 x 632 x 426 (mm)
Weight (Driver included)	70.6 lb	32.0 Kg
Material	Body	Cast Aluminum
	Optic	Silver Coating Reflector
	Cover	Tempered Glass 3.2T (Clear)
Finish	Powder Coating	
IP Rating	IP66	
Mounting Option	Swivel Bracket	
Operating Temperature	-22°F ~ 131°F	-30°C ~ 55°C
Life Time	50,000 Hours (@77°F / 25°C)	
Warranty	5 Years (12 hours usage per day)	
Option		
Control System	Wireless (ZigBee) / Wired (RS-485)	

*Tolerance : ± 5%



Photometry

See photometric .ies files for details.



[5000K / 15° / 70 Ra]

Control System (Optional)

ZigBee	
Input Voltage	Wireless Control 15 Vdc
Max. Power Consumption	0.3 W (@15Vdc)
Standard	2.4 GHz - IEEE 802.15.4 (Compatible)
Network	Mesh
RF Tx Power	Max. +8 dBm (Typ. 5 dBm)
Data Rate	250 kbps
Security	128 bit AES Encryption Algorithms
Dimmer	PWM, 0 – 10 Vdc
Antenna	Omni Type, 2 dBi
RS-485	
Input Voltage	Wired Control 15 Vdc
Max. Power Consumption	0.2 W (@15Vdc)
Communication Method	RS-485
Data Rate	38400 bps, 8-N-1
Dimmer Level	PWM, 0 – 10 Vdc

Distributed by



**ECO
LIGHT**

ECOLight (A division of TransNet NZ Ltd)
78 Cryers Road
East Tamaki
Auckland

p: +64 9 272 5619
f: +64 9 274 5490
e: info@ecolight.co.nz
w: www.ecolight.co.nz